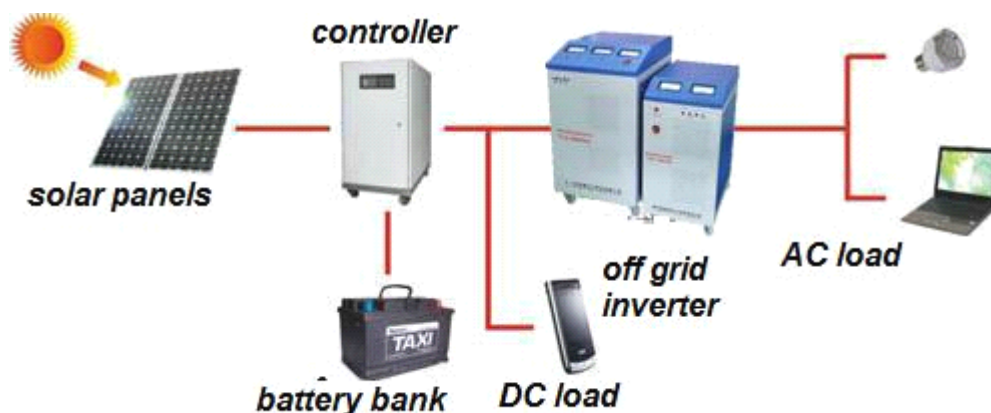


# OFF GRID SOLAR INVERTER

## Summarize

Sine wave series inverter is one of the most advanced DC to AC conversion products in the world, it has the main advantages of high quality sine wave AC output, microcomputer control, humanness design, and it is simple, stable, no noise and no pollution. It is suitable use for areas without electricity, vehicles, ships, solar energy, wind turbine etc. The inverter can also supply AC voltage to all kinds of power tools, air conditioners, electric motors, refrigerators, fluorescent lights, televisions, electric fans and other power supply.

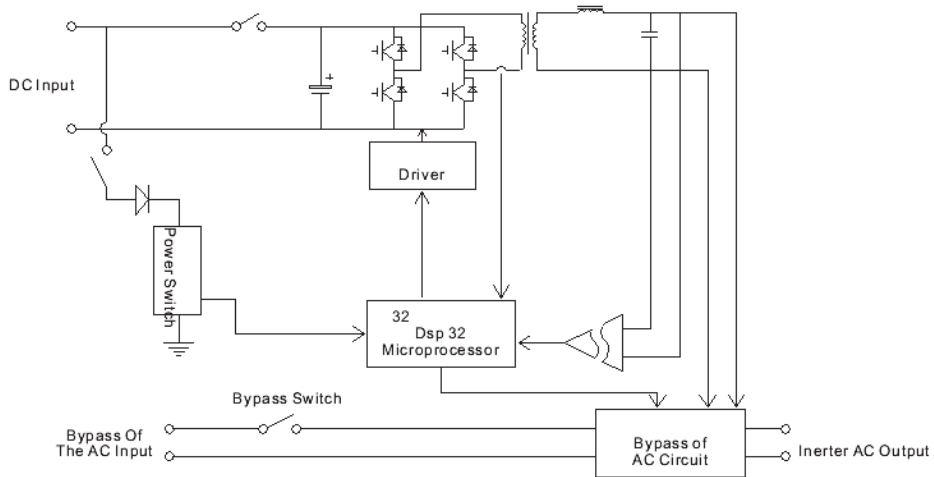
The inverter output waveform is sine wave; this kind of AC power is suitable for most industrial electronics and home appliances, the power supply features much better than other modified sine wave and square wave.



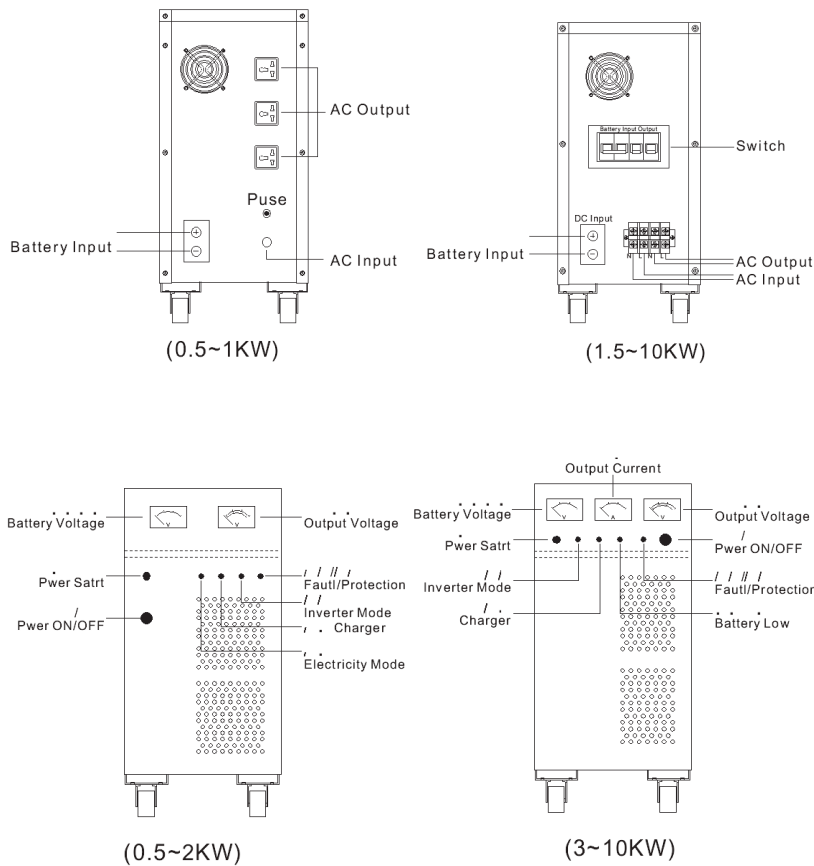
## Features

- ❖ Faceplate show working status and fault type
- ❖ Manage charge and discharge electricity with many kinds and capability of accumulator.
- ❖ With three stage charges for battery choice
- ❖ Protect Inverter overload, under voltage, over voltage, over temperature, short circuit.
- ❖ High conversion rate, high instantaneous power and low no-load wastage
- ❖ Small size, high efficiency, quiet operation

## Functional Scheme



## Structure Diagram (Popular model)



ZHEJIANG TRESS ELECTRONICS TECHNOLOGY CO.,LTD.  
浙江特雷斯电子科技有限公司



## Technical Data (0.5kw-4kw 1phase)

Model TLS-__VA	500		800		1000		1500		2000		3000		4000	
Rated power (Kw)	0.5		0.8		1		1.5		2		3		4	
Input Voltage (Vdc)	24	48	24	48	24	48	24	48	24	48	48	192	48	192
Input Max Current (A)	20	10	33	16	42	20	62	32	83	42	63	16	73	21
Output Current (A)	2		3.5		4.5		6.8		9		13.6		18	
Output Voltage (Vac)	220 Vac $\pm$ 5%													
Output Frequency (Hz)	50 HZ $\pm$ 0.5%													
Peak overload	150% technical data, 5s													
THD	$\leq$ 5%													
Wave	Sine wave													
Noise	$\leq$ 55 dB													
Invert efficiency	$\geq$ 85 %													
Protection	over-load, over-voltage, over-temperature, short-circuit protection(recover work automatically when normally)													
Environment temperature	$-10^{\circ}\text{C}\sim 60^{\circ}\text{C}$													
Environment humidity	$\leq$ 90%RH, no gel													
Height	$\leq$ 1000M													

ZHEJIANG TRESS ELECTRONICS TECHNOLOGY CO.,LTD.  
浙江特雷斯电子科技有限公司

## Technical Data (5kw-11kw 1phase)

Model TLS-__VA	5000	6000	7000	8000	9000	10000	11000
Rated power (Kw)	5	6	7	8	9	10	11
Input Voltage (Vdc)	48   192	192	192	192	192	192	192
Input Max Current (A)	104   26	31	36	42	46	52	57
Output Current (A)	23	27	32	36	41	45	50
Output Voltage (Vac)	220 Vac $\pm$ 5%						
Output Frequency (Hz)	50 HZ $\pm$ 0.5%						
Peak overload	150% technical data, 5s						
THD	$\leq$ 5%						
Wave	Sine wave						
Noise	$\leq$ 55 dB						
Invert efficiency	$\geq$ 85 %						
Protection	over-load, over-voltage, over-temperature, short-circuit protection(recover work automatically when normally)						
Environment temperature	-10 $^{\circ}$ C~60 $^{\circ}$ C						
Environment humidity	$\leq$ 90%RH, no gel						
Height	$\leq$ 1000M						

ZHEJIANG TRESS ELECTRONICS TECHNOLOGY CO.,LTD.  
浙江特雷斯电子科技有限公司

## Technical Data (12kw-20kw 1phase)

Model TLS-__VA	12000	13000	14000	15000	16000	18000	20000
Rated power (Kw)	12	13	14	15	16	18	20
Input Voltage (Vdc)	192	192	192	192	192	192	220
Input Max Current (A)	62	68	73	78	83	94	91
Output Current (A)	54	59	64	68	73	82	91
Output Voltage (Vac)	220 Vac $\pm$ 5%						
Output Frequency (Hz)	50 HZ $\pm$ 0.5%						
Peak overload	150% technical data, 5s						
THD	$\leq$ 5%						
Wave	Sine wave						
Noise	$\leq$ 55 dB						
Invert efficiency	$\geq$ 85 %						
Protection	over-load, over-voltage, over-temperature, short-circuit protection(recover work automatically when normally)						
Environment temperature	-10 $^{\circ}$ C~60 $^{\circ}$ C						
Environment humidity	$\leq$ 90%RH, no gel						
Height	$\leq$ 1000M						

ZHEJIANG TRESS ELECTRONICS TECHNOLOGY CO.,LTD.  
浙江特雷斯电子科技有限公司

## Technical Data (5kw-11kw 3phase)

Model TLS-__VA	5000	6000	7000	8000	9000	10000	11000
Rated power (Kw)	5	6	7	8	9	10	11
Input Voltage (Vdc)	48   192	192	192	192	192	192	192
Input Max Current (A)	104   26	31	36	42	46	52	57
Output Current (A)	13	16	18	21	24	26	29
Output Voltage (Vac)	380 Vac $\pm$ 5%						
Output Frequency (Hz)	50 HZ $\pm$ 0.5%						
Peak overload	150% technical data, 5s						
THD	$\leq$ 5%						
Wave	Sine wave						
Noise	$\leq$ 55 dB						
Invert efficiency	$\geq$ 85 %						
Protection	over-load, over-voltage, over-temperature, short-circuit protection(recover work automatically when normally)						
Environment temperature	-10 $^{\circ}$ C~60 $^{\circ}$ C						
Environment humidity	$\leq$ 90%RH, no gel						
Height	$\leq$ 1000M						

ZHEJIANG TRESS ELECTRONICS TECHNOLOGY CO.,LTD.  
浙江特雷斯电子科技有限公司

## Technical Data (12kw-20kw 3phase)

Model TLS-__VA	12000	13000	14000	15000	16000	18000	20000
Rated power (Kw)	12	13	14	15	16	18	20
Input Voltage (Vdc)	192	192	192	192	192	192	220
Input Max Current (A)	62	68	73	78	83	94	91
Output Current (A)	31	34	37	40	42	47	52
Output Voltage (Vac)	380 Vac $\pm$ 5%						
Output Frequency (Hz)	50 HZ $\pm$ 0.5%						
Peak overload	150% technical data, 5s						
THD	$\leq$ 5%						
Wave	Sine wave						
Noise	$\leq$ 55 dB						
Invert efficiency	$\geq$ 85 %						
Protection	over-load, over-voltage, over-temperature, short-circuit protection(recover work automatically when normally)						
Environment temperature	-10 $^{\circ}$ C~60 $^{\circ}$ C						
Environment humidity	$\leq$ 90%RH, no gel						
Height	$\leq$ 1000M						

ZHEJIANG TRESS ELECTRONICS TECHNOLOGY CO.,LTD.  
浙江特雷斯电子科技有限公司

## Technical Data (25kw-55kw 3phase)

Model TLS-__VA	25000	30000	35000	40000	45000	50000	55000
Rated power (Kw)	25	30	35	40	45	50	55
Input Voltage (Vdc)	240	380	380	380	492	492	492
Input Max Current (A)	104	79	92	105	91	102	112
Output Current (A)	66	79	92	105	118	131	145
Output Voltage (Vac)	380 Vac $\pm$ 5%						
Output Frequency (Hz)	50 HZ $\pm$ 0.5%						
Peak overload	150% technical data, 5s						
THD	$\leq$ 5%						
Wave	Sine wave						
Noise	$\leq$ 55 dB						
Invert efficiency	$\geq$ 85 %						
Protection	over-load, over-voltage, over-temperature, short-circuit protection(recover work automatically when normally)						
Environment temperature	-10 $^{\circ}$ C~60 $^{\circ}$ C						
Environment humidity	$\leq$ 90%RH, no gel						
Height	$\leq$ 1000M						



ZHEJIANG TRESS ELECTRONICS TECHNOLOGY CO.,LTD.  
浙江特雷斯电子科技有限公司

## Technical Data (55kw-100kw 3phase)

Model TLS-__VA	55000	60000	65000	70000	80000	90000	100000
Rated power (Kw)	55	60	65	70	80	90	100
Input Voltage (Vdc)	492	492	492	492	492	492	492
Input Max Current (A)	112	122	132	142	163	183	203
Output Current (A)	145	158	171	184	210	237	263
Output Voltage (Vac)	380 Vac $\pm$ 5%						
Output Frequency (Hz)	50 HZ $\pm$ 0.5%						
Peak overload	150% technical data, 5s						
THD	$\leq$ 5%						
Wave	Sine wave						
Noise	$\leq$ 55 dB						
Invert efficiency	$\geq$ 85 %						
Protection	over-load, over-voltage, over-temperature, short-circuit protection(recover work automatically when normally)						
Environment temperature	-10 $^{\circ}$ C~60 $^{\circ}$ C						
Environment humidity	$\leq$ 90%RH, no gel						
Height	$\leq$ 1000M						